

## **Weatherproof Devices**

### **24V Low Profile Evacuation Outdoor Horn/Strobe: VF4007-1M** **24V Low Profile Evacuation Horn with Outdoor Enclosure: VF4028-10**

**USCG Type Approved**

161.002/A53/0



#### **Standard Features**

- UL 464, UL 1638 & BFP Listed
- Nominal Voltage 24VDC
- Unit is Shipped with UL1638 listed VF4007-1M Candela Horn/Strobe
- Unit Dimensions: VF4008-10 5.75" High x 4.75" Wide x 4.18" Deep
- To Obtain Outdoor Horn, Must Order VF4000-10 and VF4008-10 Separately
- Super-Slide™ - Ease of Supervision Testing
- Checkmate™ - Instant Voltage Verification
- Lower Installation and Operating Costs
- Switch Selection for High dBA
- Switch for Mechanical and 2400Hz Tone
- Switch for Continuous Tone
- Tamperproof Re-entrant Grill
- Wide Voltage Range 16-33 VDC or FWR
- Separate Horn and Strobe Functions
- Synchronize Strobe and/or Horn by Using Fireboy-Xintex Synchronization Control Module
- Listed for UL1638 when used with the VF4008-10 enclosure
- VF4008-10 Made of Clear Lexan Provides Maximum Visibility and Reliability for effective Visible Signaling - Allowing Full 75cd Output
- Input Terminals 12 to 18 AWG
- Faceplate available in Red

#### **Overview**

- The Outdoor Fireboy-Xintex Series offers dependable visible and/or audible alarms for all outdoor needs.
- Included with the Fireboy-Xintex Series is the VF4008-10 outdoor enclosure. The enclosure is made of high quality Lexan material, providing protection from weather related conditions and allowing the necessary full candela output. This highly constructed enclosure meets various installation requirements including deterring moisture from entering the enclosures.
  - The Outdoor Series is equipped with the 4" mounting plate which incorporates the Super-Slide™ feature that allows the installer to easily test for supervision. The product also features a locking mechanism which secures the product to the bracket without any screws showing.
  - The Fireboy-Xintex Series also features the Checkmate™ - Instant Voltage Verification feature which allows the installer to check the voltage without removing the signal.
  - The Fireboy-Xintex Series strobe has a minimal operation current and has a minimum flash rate of 1Hz and can vary up to 2Hz regardless of input voltage.
  - The Fireboy-Xintex Series appliances are UL 464 and UL 1638 listed for use with fire protective systems and are warranted for one year from date of purchase.

## Ordering Codes

Part Number	Description	Reverberant dBA @ 10 ft. Per UL 464 <sup>1</sup>	In Anechoic Room dBA @ 10 ft.
<b>VF4028-10</b>	24V Low Profile Evacuation Horn with outdoor enclosure, Red Faceplate	70-82	100

## Ordering Codes

Part Number	Description	Reverberant dBA @ 10 ft. Per UL 464 <sup>1</sup>	In Anechoic Room dBA @ 10 ft.
<b>VF4007-1M</b>	24V Evacuation Outdoor Horn/Strobe Wall Mount, Red Faceplate	70-82	100

**Notes:** The Fireboy-Xintex Outdoor Series is listed for outdoor use. Indoor Operating Temperature: 32° to 120°F. Outdoor Operating Temperature: -31° to 150°F.

For nominal and peak current across UL regulated voltage range for filtered DC power and unfiltered (FWR [Full Wave Rectified]) power, see installation manual.

Fireboy-Xintex does not recommend using a coded or pulsing signaling circuit with any of our strobe products

Horn Mode	Minimum dBA @ 10 ft. per UL464 (HIGH)	Minimum dBA @ 10 ft. per UL464 (LOW)	Regulated 24VDC Max. Operating @ High Setting (mA)
Temp 3 2400Hz	78	71*	28
Temp 3 Mechanical	76	70*	25
Temp 3 Chime	70*	66*	15
Continuous 2400Hz	81	74*	28
Continuous Mechanical	80	72*	25
Continuous Chime	70*	66*	15
Whoop	82	69*	56

## Fireboy-Xintex Outdoor Product Strobe Current Ratings

Candela	75cd
24 VDC	112mA
UL Max <sup>1</sup>	180mA

<sup>1</sup>RMS current ratings are per UL average RMS method. UL max current rating is the maximum RMS current within the listed voltage range 16-33VDC for 24VDC units. For strobes the UL max current is usually at the minimum listed voltage 16VDC for 24VDC units. For audibles the max current is usually at the maximum listed voltage. For unfiltered FWR ratings, see installation manual.

\*Operating the horn in this mode at this voltage will result in not meeting the minimum UL reverberant level required for public mode fire protection service. These settings are acceptable only for private mode fire alarm use. Use the high dBA setting for public mode application (not applicable when using the chime tone.) The chime tone is always private mode.

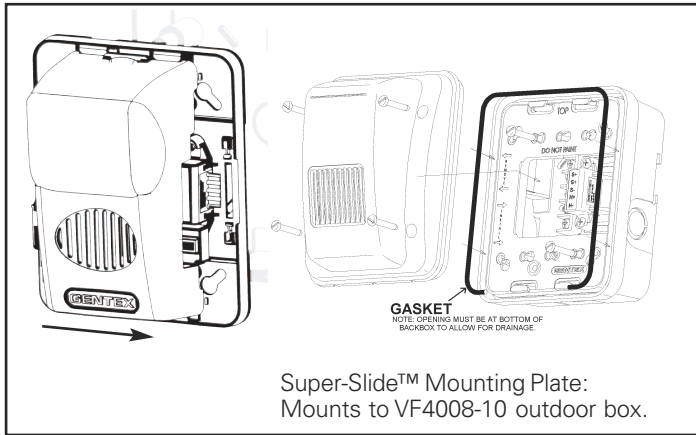
### Notes:

The sound output for the temporal 3 tone is rated lower since the time the horn is off is averaged into the sound output rating. While the horn is producing a tone in the temporal 3 mode its sound pressure is the same as the continuous mode.

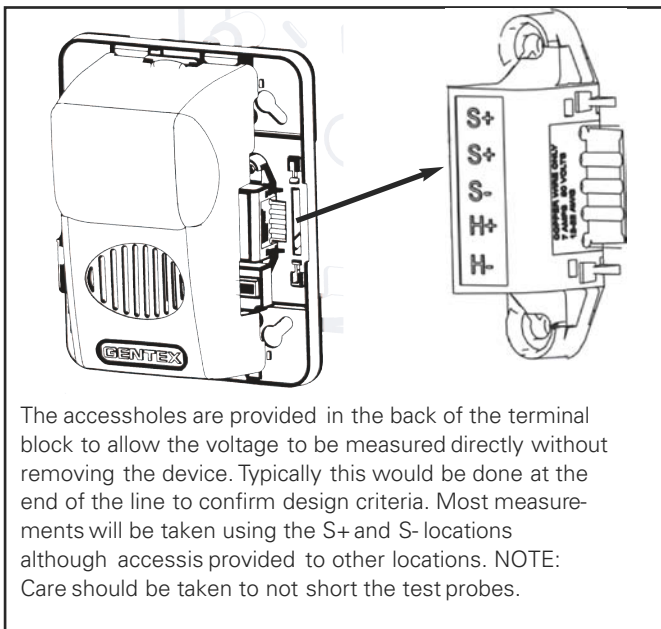
To obtain the horn/strobe current draw, add the strobe current draw and the horn current draw.

# FIREBOY - XINTEX

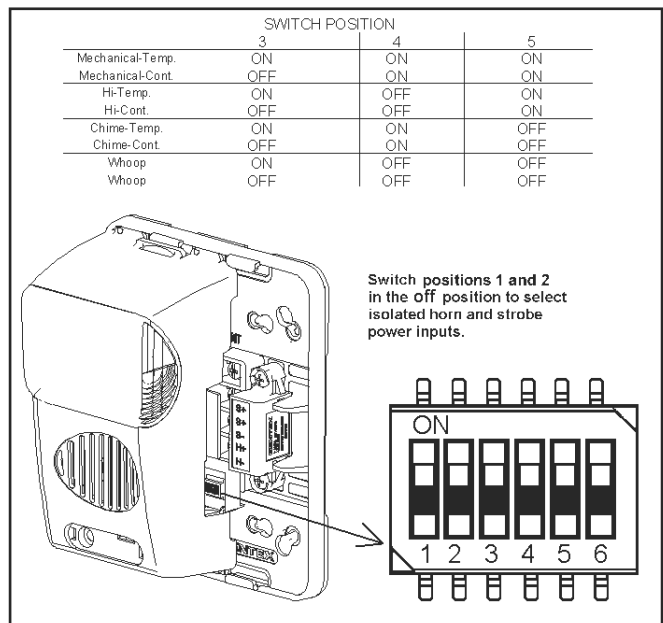
## Mounting Super-Slide™



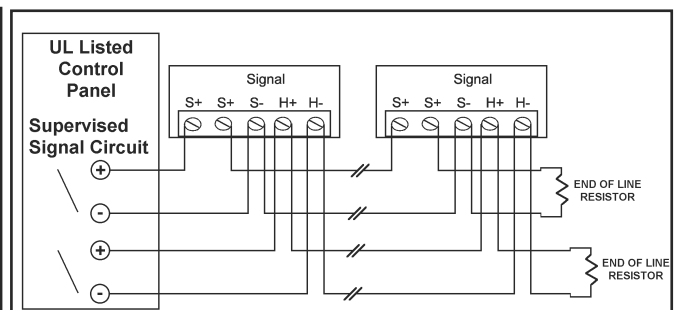
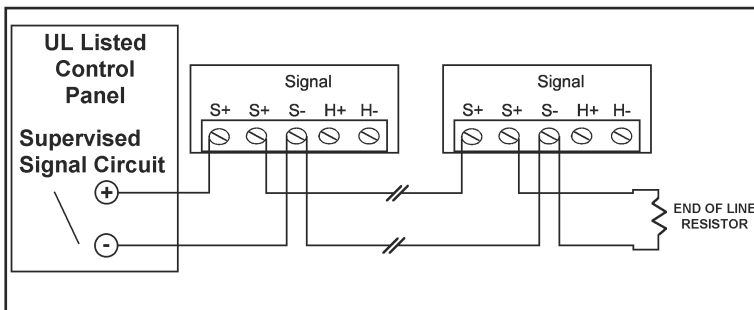
## Checkmate™ - Instant Voltage Verification



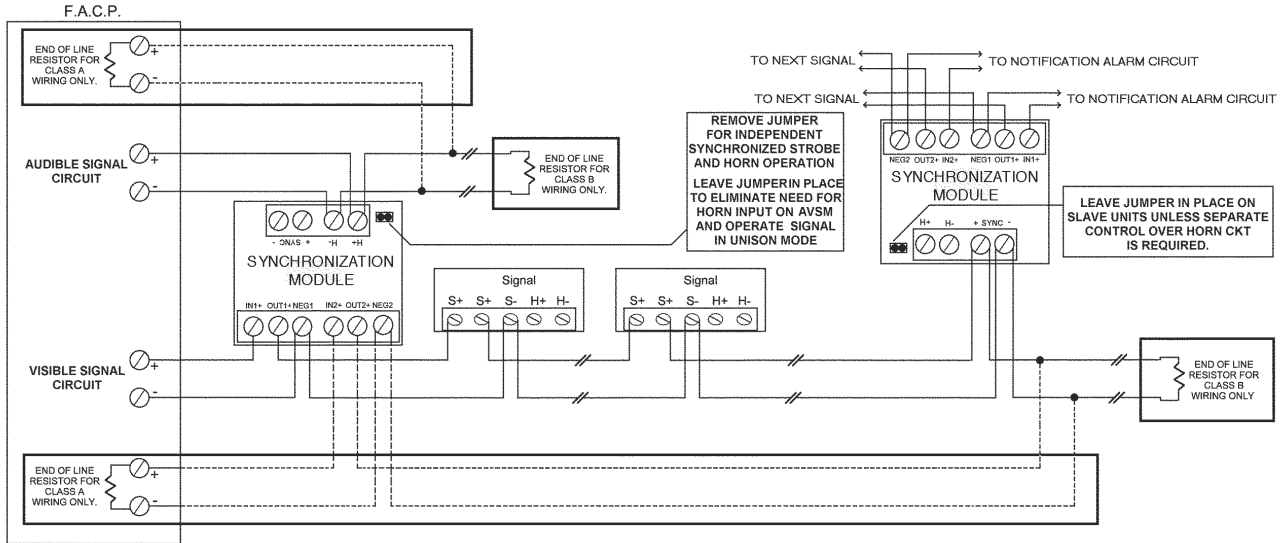
## Switch Locations



## Conventional Fireboy-Xintex Series Wiring Diagrams



## Wiring Diagram Fireboy-Xintex Series with Fireboy-Xintex Synchronization Module



### Architects and Engineer Specifications

The audible and/or visible signal shall be Fireboy-Xintex series or approved equal and shall be listed by Underwriters Laboratories, Inc. per UL 1971 and/or UL 464. The notification appliance shall also be listed with the California State Fire Marshall (CSFM) and the Bureau of Standards and Appeals (NYC).

The notification appliance (combination audible/visible) shall produce a peak sound output of 100dBA or greater as measured in an anechoic chamber. The signaling appliance shall also have the capability to silence the audible signal while leaving the visible signal energized with the use of a single pair of power wires. Additionally, the user shall be able to select either continuous or temporal tone output with the temporal signal having the ability to be synchronized.

The audible/visible and visible signaling appliance shall also maintain a minimum flash rate of 1Hz or up to 2Hz regardless of power input voltage. The appliance shall have an operating current of 112mA or less for the 75Cd strobe circuit. The appliance shall also be capable of meeting the candela requirements of the ADA (75cd).

The appliance shall be polarized to allow for electrical supervision of the system wiring. The unit shall be provided with a mounting bracket with terminals and barriers for input/output wiring and be able to mount to a single gang or double gang box or double work-box without the use of an adapter plate. The unit shall have an input voltage range of 16-33 volts with either direct current or full wave rectified power for 24 volt models.

The appliance has an extended temperature range of -31° to 150°F. The appliance shall satisfy virtually all outdoor and severe environment applications. The VF4008-10 Enclosure includes a gasket that must be inserted between the box and mounting bracket. There are drain holes in the back box to allow for drainage, the seal on the VF4008-10 Enclosure is not water tight. The Enclosure includes a weather seal for mounting to wall and intended for use with universal electrical box. To allow for drainage, bottom edge of enclosure is not water tight.