

## Mini Monitor Module: VF5608-0M



### Standard Features

- Designed for use where space is limited
- Features a short circuit isolator as standard
- Interrupt/non interrupt in one unit
- "Pre-alarm" status available
- LED status indication (Yellow - Fault, Green - Polling, Red - Alarm)
- DIN Rail mountable

## Mini Input Modules

### USCG Type Approved

161.002/A53/0

### Overview

The Fireboy-Xintex Mini Monitor Module, part no VF5608-0M, is a loop-powered device, which incorporates a monitored input circuit for connection to switches. The module is supplied in a small housing designed to fit into an electrical box, or to be DIN Rail mounted.

It is designed to monitor the state of one or more single pole, volt free contacts connected on a single pair of cables and to report the status to Apollo compatible analog control equipment.

The Fireboy-Xintex Mini Monitor Module has an optional priority interrupt facility to give fast response and can be fitted in an electrical box behind a pull station. This option is selected via the eighth section of the DIL switch.

Please note: When the eighth section of the DIL switch is changed, the Fireboy-Xintex Mini Monitor Module will change the type code it sends to the panel.

The mini switch monitor has three status LEDs:

- Red Indicates alarm condition
- Green Indicates polling
- Yellow constant, short circuit on loop wiring  
pulsing, fault on the monitored circuit

Wiring options for the Mini Switch Monitor

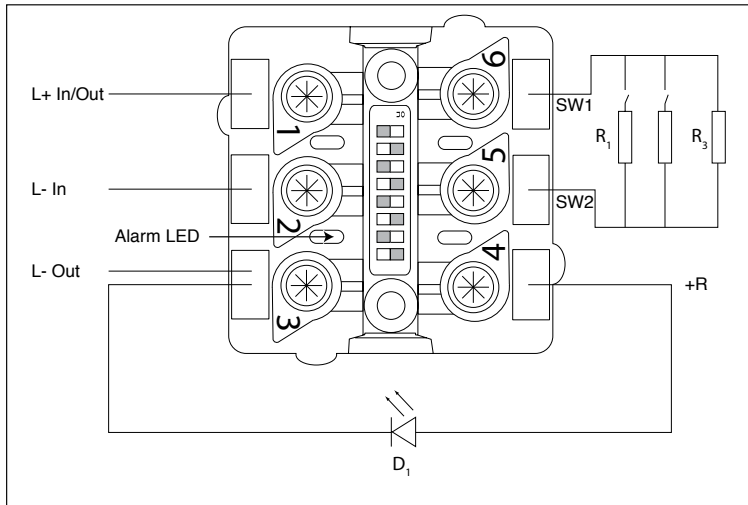


Fig 1 – Connections to the Terminals.

Key

- R<sub>1</sub> Alarm 1K Ω
- R<sub>3</sub> End of Line 20K Ω
- D<sub>1</sub> Optional Remote LED

### Technical Specifications

**Operating Voltage:** 17-28V DC

**Protocol:** 5-9V

**Current Consumption at 24V**

**Quiescent current:** 200µA

**LED Operated Alarm:** 3.4mA +Quiescent

**Remote and LED Alarm:** 6.2mA +Quiescent

**Switch Fault LED:** +2.8mA (pulsing 0.5s on, 0.5s off)

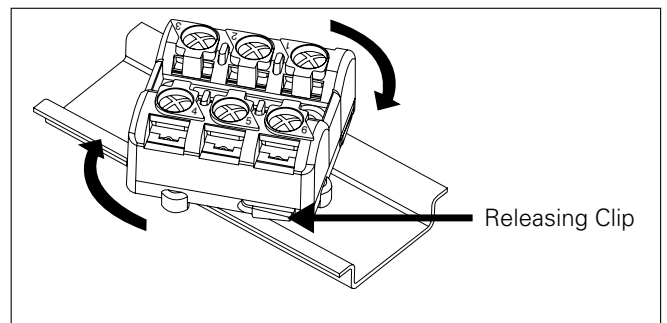


Fig 2 - Mini Switch Monitor on a DIN Rail